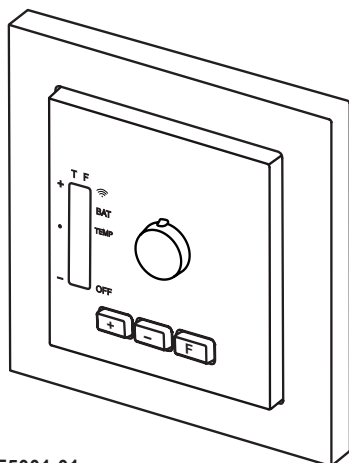


## Model



ST02E5001-01

## Technical details

Frequency:	868.30 MHz
Radiated power:	4.47 mW
Modulation:	FSK
Coding:	Easywave POTA
Range:	free-field: approx. 150 m buildings: approx. 30 m
Operating temperature:	-20 °C to +40 °C
Control range:	approx. +14 °C to +25 °C
Measurement cycle:	once per minute
Power supply:	2x 3V batteries, CR2032
Dimensions (w/h):	
Cover	55/55/16.0 mm
Mounting plate	71/71/1.8 mm
Cover frame	80/80/9.4 mm
Weight:	51 g (incl. batteries and cover frame)

## Scope of delivery

Transmitter module, 2x CR2032 batteries, cover, mounting plate, cover frame, adhesive pad, operating instructions

## Intended use

The device must only be used to control Easywave wireless receivers.  
The manufacturer is not liable for any damage caused by improper or unintended use!

## Safety information



Please read the operating instructions carefully before using the device!

- Also read the operating instructions for the devices to be controlled! Do not modify the devices!
- Have faulty devices checked by the manufacturer!
- Keep the batteries away from children!
- Keep the packing away from children!

## Function

The ST02 temperature sensor is a battery-powered wireless thermostat designed for indoor use. Detected differences between measured values and a configured setpoint temperature are sent via Easywave wireless telegrams to a wireless receiver connected to a cooling system. This enables wireless temperature control in the range of 14 °C to 25 °C.

If the measured temperature is above the configured setpoint, the receiver is activated (Easywave code A). If the current value is below the configured setpoint, the receiver is deactivated (Easywave code B).

The ST02 sends a status telegram with the current switching state every 4 hours in order to not trigger the emergency switching of the corresponding receivers (e.g. RCJ15 or RCP22).

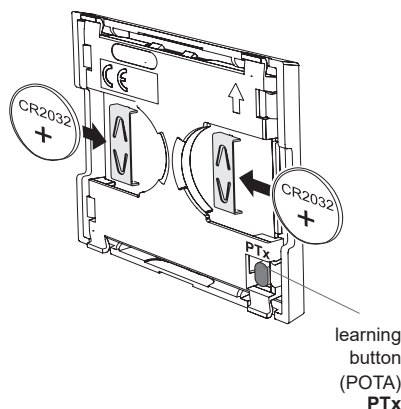
The sensor can be mounted in most cover frames with cut-out dimensions of 55x55mm.

## Start up

## 1. Insert batteries

Insert the enclosed batteries into the transmitter module.

**Make sure the polarity is correct!  
The positive pole has to be visible!**



learning button (POTA) PTx

## 2. Programming the sensor into the receiver and setting the temperature

1. Put the receiver into programming mode. Please read the operating instructions of the receiver for further information.

2. Press the button **+** or **-** on the temperature sensor. Easywave code A (+) or B (-) is sent, for which the sensor must be in operating mode and the LEDs must be off.

→ The wireless symbol on the sensor lights up briefly, and the transmitter code has been programmed into the receiver.

3. Press **+** or **-** key again to set the temperature setpoint value.

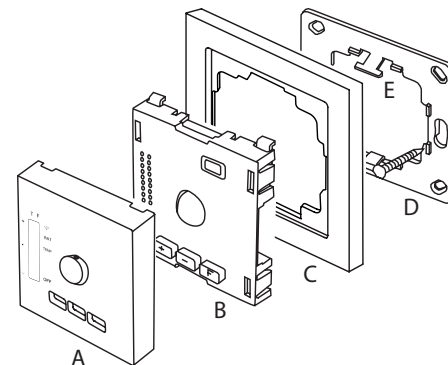
4. Do not press any of the keys for 10 seconds. The sensor switches to operating mode, the configured setpoint value is saved and the LEDs turn off.

## 3. Mounting the sensor

1. Screw or glue the mounting plate (D) at the mounting location.

2. Place the cover frame (C) onto the mounting plate (D).

3. Put the cover (A) onto the transmitter module (B) and lock both onto the catches (E).



## Operation overview

## Temperature settings (T)

## Button

- +** Selecting the setpoint temperature (Only in control mode, LED TEMP must be lit.)
- 

max. value approx. 25 °C →

**Current value** →  
LED lights up

**Setpoint value** →  
LED blinks

min. value approx. 14 °C →

## Function settings (F)

## Button

- F** Display temperature values and sensor status

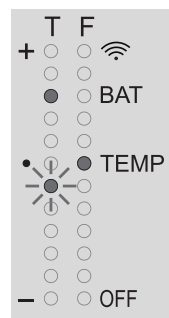
← LED flashing: Wireless signal being sent

← LED flashing once per minute: Battery almost empty (see "Battery check")

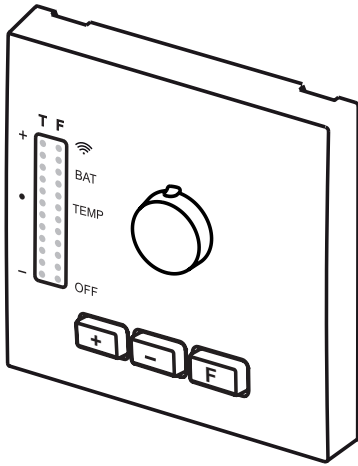
← LED lit: Sensor activated (control mode)

- F** Activate or deactivate sensor

← LED lit: Sensor deactivated



## Programming



- F** Button **F**: display status or activate/deactivate sensor  
Toggle between control mode and OFF.  
LED **F**: display status
- +** Button **+**: increase setpoint value  
Easywave code A is sent  
LED **T**: display temperature values
- Button **-**: decrease setpoint value  
Easywave code B is sent  
LED **T**: display temperature values

### Remote learning (POTA)

The ST02 has the remote learning function POTA (Programming Over The Air).

This can be used to reprogram an already-installed and no longer accessible receiver, as long as the ST02 is programmed into it. To find out whether a specific receiver supports this function, please refer to its operating instructions.

A detailed POTA programming manual is available on our website:

[https://www.eldat.de/pota\\_en.pdf](https://www.eldat.de/pota_en.pdf)

or you can request support from our customer service.

### Battery check

The battery check function of the ST02 checks the battery voltage during the transmission procedure.

If the battery capacity is low, the battery indicator BAT flashes briefly once per minute. Change the batteries now.

At the end of the transmission process, an undervoltage telegram is transmitted automatically. This telegram can be evaluated by adapted Easywave receivers. For information, read the operating instructions for the relevant receiver.

## GENERAL INFORMATION

### Disposal

Waste electrical products and batteries may not be disposed of with household waste!

Dispose of the waste product via collection facilities for electronic scrap or via your specialist dealer.



Dispose of used batteries in a recycling bin for batteries or via the specialist trade.

Dispose of packaging material in the recycling bins for cardboard, paper and plastic.



Operation [press the button]	LED display	Comment
<b>Programming sensor into the receiver</b>		
1. Put the receiver into programming mode.		Please read the operating instructions for the receiver.
2. Button <b>+</b> or Button <b>-</b>	LED <b>F</b> lights up briefly	The Easywave code <b>A</b> (+) or <b>B</b> (-) is transmitted and programmed into the receiver. Only possible when the device is in standby mode (all LEDs off)!
3. Wait 10 seconds	LEDs OFF	The sensor changes to the operating mode.
<b>Setting/change the setpoint</b>		
1. Button <b>F</b>	LED <b>F</b> TEMP lights up	Sensor is in control mode. If LED OFF lights up, the sensor is deactivated. Press the F button again to switch to control mode.
2. Button <b>+</b> or Button <b>-</b>	LED <b>T</b> current value lights up LED <b>T</b> setpoint blinks	Set the desired setpoint by pressing repeatedly.
3. Wait 10 seconds	LEDs OFF	The sensor changes to the operating mode. The new setpoint is saved and the code <b>A</b> (ON) or code <b>B</b> (OFF) is transmitted accordingly.
<b>Activate/deactivate sensor</b>		
1. Button <b>F</b>	LED <b>F</b> TEMP lights up or LED <b>F</b> OFF lights up	control mode, value selection possible.  Sensor switched OFF, no value selection possible
2. Button <b>F</b>		Toggle between control mode and OFF
3. Wait 10 seconds	LEDs OFF	Last selected operating mode active.

### Troubleshooting

If the receiver does not react to the sensor:

- Replace the batteries if necessary.
- Check that there is an unhindered wireless connection between the sensor and receiver at the installation location.
- Reprogram the sensor into the receiver if necessary.
- Other wireless products that use the same frequency and operate in the immediate vicinity may cause interference.

Temperature changes are not promptly indicated:

- One minute measurement cycle is not complete.
- If the temperature changes too much, because of the temperature behavior of the sensor materials, the real temperature is displayed with a delay.

### Warranty

Within the statutory warranty period we undertake to rectify free of charge by repair or replacement any product defects arising from material or production faults. Any unauthorized tampering with, or modifications to, the product shall render this warranty null and void.

### Conformity

Hereby, ELDAT EaS GmbH declares that the radio equipment type ST02 is in compliance with Directive 2014/53/EU. The full text of the EU declaration of conformity is available at the following internet address: [www.eldat.de](http://www.eldat.de)



### Customer service

If the device does not work properly despite proper handling or in case of damage, please contact the manufacturer or your retailer.

#### ELDAT EaS GmbH

Schmiedestraße 2  
15745 Wildau

Germany

Phone: +49 3375 9037-310

Internet: [www.eldat.de](http://www.eldat.de)

E-mail: [info@eldat.de](mailto:info@eldat.de)