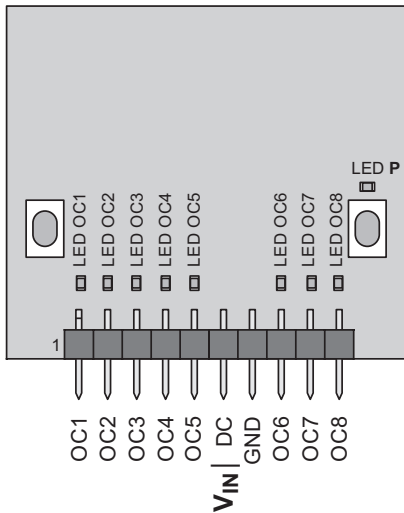
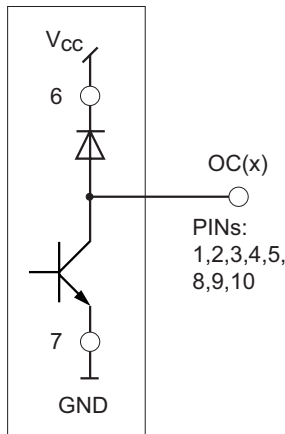


Model

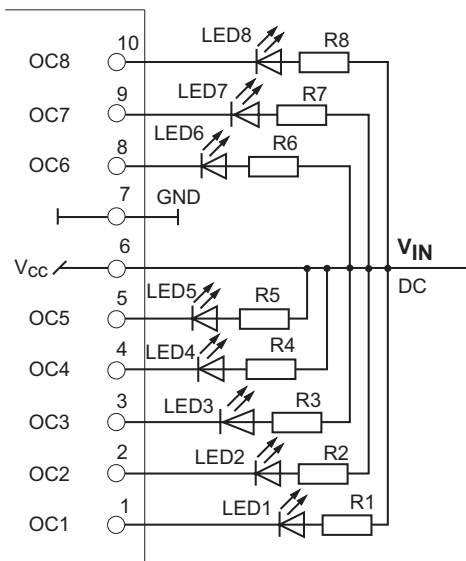


RCD21E5008A01	3.0 V - 8.0 V
RCD21E5008A03	8.0 V - 36.0 V

Output Stage OC(x)



Example of circuit



Technical Details

Frequency: 868.3MHz
 Modulation: FSK
 Coding: Easywave
 32 Codes per output

Power supply:
RCD21E5008A01 $V_{IN} = (3.0 - 8.0) V DC \pm 5 \%$
RCD21E5008A03 $V_{IN} = (8.0-36.0) V DC \pm 5 \%$

Max. Current consumption:
RCD21E5008A01 max. 28 mA
RCD21E5008A03 8 V: 25 mA
 12 V: 30 mA
 24 V: 20 mA
 36 V: 20 mA

Output: 8x open-collector (OC1 - OC8)

Max. output load OCx: 20 mA
 Operating Temperature: -20°C to +55°C

Dimensions (w/l/h): 35/31/5 mm,
 3.2 mm pin length

Contact spacing: 2.54 pitch

Scope of Delivery

Open collector module, operating instructions

Intended Use

This unit may only be used as a radio control system for low-voltage applications. The manufacturer shall not be liable for any damage caused by improper or non-intended use.

Safety Advice



Before using the device, carefully read through the operating instructions!

Have faulty radio controls checked by the manufacturer!

Do not make any unauthorized alterations or modifications to the receiver!

Function

The RCD21 is used for radio-controlled switching of electrical loads in the low voltage range. The operating modes ON/OFF 2-button operation and the DEAD MAN control are available.

In each OC output 32 Easywave transmission codes can be programmed. A single transmitter code can be programmed into multiple outputs. Are all OC outputs activated, a transmission code can be programmed in all outputs simultaneously, if it is not already programmed in one of the outputs.

In the operating mode the LED of the switched output lights.

Operating modes

Operating mode (OM) LED flashing

ON/OFF
 2-button operation
 Transmission code A or C switches ON.
 Transmission code B or D switches OFF.

ON/OFF
 1-button operation
 Each transmitter code A/B/C/D can switch ON and OFF alternately.

DEAD MAN
 1-button operation
 Each transmitter code A/B/C/D switches as long as the transmitter button is pressed (max. 36 s).

This transmitter button is then linked to the selected operating mode. (see chapter „Programming“).

General Information

Disposal

Waste electrical products must not be disposed of with household waste!

Dispose of the waste product via a collection point for electronic scrap or via your specialist dealer.



Put the packaging material into the recycling bins for cardboard, paper and plastics.



Warranty

Within the statutory warranty period we undertake to rectify free of charge by repair or replacement any product defects arising from material or production faults.

Any unauthorized tampering with, or modifications to, the product shall render this warranty null and void.

Conformity



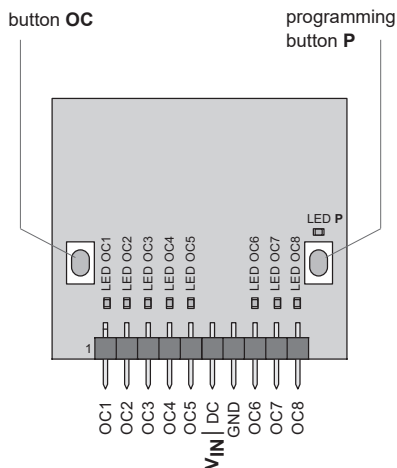
Hereby, ELDAT EaS GmbH declares that the radio equipment type RCD21 is in compliance with Directive 2014/53/EU.

The full text of the EU declaration of conformity is available at the following internet address: www.eldat.de

Service

If, despite correct handling, faults or malfunctions occur or if the product was damaged, please contact your retailer or the manufacturer.

ELDAT EaS GmbH
 Schmiedestraße 2
 15745 Wildau
 Germany
 Phone: +49 3375 9037-310
 Internet: www.eldat.de
 E-mail: info@eldat.de



	Operation [press the button]	LED view	Comment *)
Select output			
	button OC	The active output is indicated by the corresponding LED OC 1-8. LED OC(x) lights up	When the button OC is pressed, all outputs are switched off automatically and the LED OC of the last output used lights up. Press the button OC repeatedly until - the LED of the desired output light up, - all LEDs light up or - all LEDs are switched off.
Programming the transmission code			
<i>select output</i>	1. button OC	LED OC(x) lights up	The LED OC of the output last used lights up.
<i>select operating mode</i>	2. button P < 1.6 sec.	LED P	Briefly press the button P until the LED P flashes in phase with the desired operating mode. The receiver remains for approx. 30 sec. in the learning mode.
<i>programming transmission code</i>	3. transmitter button	LED P lights up for 2 sec.	Press the transmitter button whose code is to be programmed. If the code has been programmed the LED P lights up for 2 sec. The selected operating mode is assigned to the programmed transmission code and the receiver will go back to the operating mode. In the „2 button operation“, the code of the corresponding button is also programmed in the process. If the LED P flashes during delete mode very rapidly for approx. 2 sec., the code to be deleted is not programmed. The receiver remains for approx. 30 sec. in the delete mode. If the LED P flashes rapidly for approx. 4 sec., all 32 memory locations are occupied. The receiver goes back to the operating mode.
Deleting specific transmission codes			
<i>select output</i>	1. button OC	LED OC(x) lights up	The LED OC of the output last used lights up. Are all outputs selected, the transmission code is deleted from all outputs.
	2. button P > 1.6 sec.	LED P flashes rapidly	The receiver is for approx. 30 sec. in the delete mode.
<i>deleting transmission code</i>	3. transmitter button	LED P lights up for 2 sec.	Press the transmitter button you want to delete. If the code has been deleted the LED OC lights up (approx. 2 sec.) and the receiver is going into the operating mode. In the „2 button operation“, the code of the corresponding button is also deleted in the process. If the LED flashes during delete mode very rapidly for approx. 2 sec., the code to be deleted is not programmed. The receiver remains for approx. 30 sec. in the delete mode.
Deleting all transmission codes of an output or all outputs (RESET)			
<i>select output</i>	1. button OC	LED OC(x) lights up	The LED of the output last used lights up. To delete the transmission codes of all OC outputs simultaneously, press the button OC until all OC-LEDs light up.
	2. button P > 1.6 sec.	LED P flashes rapidly	The receiver is for approx. 30 sec. in the delete mode.
<i>deleting transmission codes</i>	3. button P > 1.6 sec.	LED P lights up for 4 sec.	All transmission codes are deleted. The receiver goes back to the operating mode.

*) Canceling the programming operation or delete operations is possible at any time, by pressing the button OC > 1.6 sec. or you can wait approx. 30 sec., until the receiver returns to the operating mode automatically.