

**Models**

**RCU01-4104M-01:** 433.92 MHz  
**RCU01-5004M-01:** 868.3 MHz

**Package Content**

Universal Receiver incl. HF antenna,  
 Mounting accessories, Screw fittings set,  
 Operating instructions

**Technical Data**

Frequency: 433.92 or 868.30 MHz  
 Power supply: 230 V AC / 12-24 V DC  
 Output: 4 potential-free relay contacts  
 Max. load: 230 V AC: see Table  
 30 V DC: 3 A / 90 W  
 Response time: approx. 1 second  
 Degree of protection: IP54  
 Operating temperature: -20°C to +60°C  
 Dimensions: 150 x 110 x 50 mm  
 Weight: approx. 500 g

**Intended Use**

The unit may only be used as a radio control system together with low voltage or mains voltage devices!  
 The manufacturer shall not be liable for any damage caused by improper or non-intended use!

**Safety Advice**



**Warning!** While being programmed, the Universal Receiver is live!

**Do not touch the terminals! Only use suitable tools!**

Carefully read through these instructions before connecting and operating the Universal Receiver!

**Electrical installation and programming may only be carried out by a qualified electrician!**

Observe the applicable laws, standards and regulations, particularly EN 60669!

**Caution!** The primary input of the Universal Receiver must be protected by a 50 mA fuse.

Have faulty units checked by the manufacturer!

Do not make any unauthorized alterations or modifications to the unit!

Non-observance of the installation instructions may cause fire or other hazards.

**Function**

The unit is a universally applicable four channel radio control system, which can be operated both with low voltage and mains voltage.

The Universal Receiver can memorize 4 transmission codes for each channel. For each channel different operating modes can be programmed: Impulse, ON/OFF (1- and 2-button operation), timer (30 seconds and 3 minutes), continuous and awning operation.

**General Information**

Do not mount the Universal Receiver near the floor or near large metal objects!

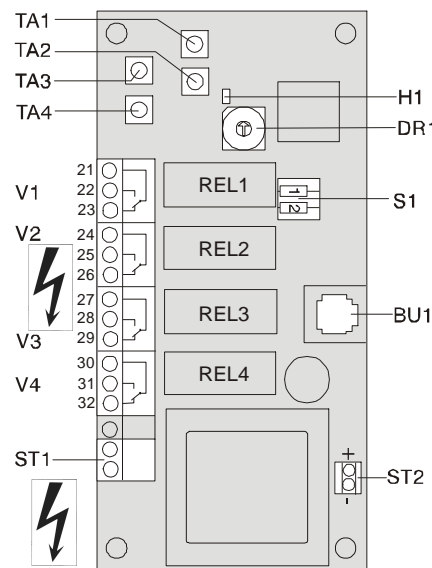
The maximum length of all connecting cables may not exceed 3 m.

The reception quality can be affected by a number of factors:

- location, Transmitter
- equipment and systems without interference suppression
- other transmitters within the frequency range
- atmospheric conditions and other factors.

In case of malfunctions, please contact your dealer or the manufacturer.

**Connection Diagram**



S1	Dip switch for memory location select
DR1	Rotary switch for operating mode select
H1	LED
TA1 – TA4	Programming buttons for channels 1-4
REL1 – REL4	Relays 1-4 for devices 1-4
V1 – V4	Connecting terminals for relays 1-4
BU1	Antenna socket
ST1	Connecting terminal for mains voltage 230 V AC
ST2	Connecting terminal for low voltage 12-24 V DC

**Start-Up**

Start-up the Universal Receiver in three steps:

1. Installing the Universal Receiver
2. Programming the operating mode
3. Memorizing the transmission codes

**Installing the Universal Receiver**

1. Unscrew the housing cover.
2. Use the screws and molliers supplied, to mount the Universal Receiver on the wall.
3. Connect the low voltage or mains voltage devices to be switched to the connecting terminals V1 to V4 according to the connection plan. The connecting terminals are plug-type terminals.

**Max. load:**

230 V AC: see Table of Loads  
 30 V DC: 3 A / 90 W

4. Connect the power supply cables to the connecting terminal ST1 (mains voltage 230 V AC) or ST2 (low voltage 12-24 V DC) according to the connection plan. The connecting terminal ST1 is a plug-type terminal.

**Note:** All cables are to be fed into the Universal Receiver via the openings on the bottom using the watertight PG screw fittings.

5. Switch on the supply voltage. The LED H1 lights up for approx. 1 sec.
6. Carry out a function check: Press any button of the transmitter. The LED H1 of the Universal Receiver should flash rapidly.

**Table of Loads (AC)**

Type of load	Max. load 230 V AC / 50Hz
<b>Resistive load:</b> Light bulbs, 230 V Halogen lamps etc.	8 A / 1,840 VA
<b>Inductive load:</b> Halogen lamps with wound transformers (transformer at least 85% loaded)	2.6 A / 600 VA
Non-compensated or series-compensated fluorescent lamps with ferromagnetic ballast	8 A / 1,840 VA
Parallel-compensated fluorescent lamps with ferromagnetic ballast	2.6 A / 600 VA
<b>Capacity EB:</b> electronic ballast, electronic transformers etc.	4 A / 920 VA

## Programming the Operating Mode



**Warning! During programming, the Universal Receiver is live!**

**Programming may only be carried out by a qualified electrician!**

**Do not touch the terminals!**

**Only use suitable tools!**

**Note:** You can program a different operating mode for each channel.

1. Select the operating mode via rotary switch DR1 according to the following table.
2. Press and hold the programming button for the desired channel (TA1, TA2, TA3 or TA4), until the LED H1 lights up for approx. 1 second.

DR1	Operating Mode
0	<b>Impulse</b> Relay operates for approx. 1 sec.
1	<b>On/Off (1-Button Operation)</b> 1 <sup>st</sup> transmission: Switching on 2 <sup>nd</sup> transmission: Switching off
2	<b>Timer 30 Seconds</b> After transmission, the device is switched on for 30 seconds. If a new signal is transmitted within this 30 s period, the 30 s timer is re-started.
3	<b>Timer 3 Minutes</b> as for setting 2, but with a period of 3 minutes
4	Memorizing Transmission Codes
5	Deleting Transmission Codes
6	<b>Continuous Operation</b> Relay operates as long as the transmitter button is pressed.
7	<b>Awning Operation</b> 1 <sup>st</sup> transmission: Channel 1 or 3 switched on for max. 2 minutes 2 <sup>nd</sup> transmission: Channel 1 or 3 switched off 3 <sup>rd</sup> transmission: Channel 2 or 4 switched on for max. 2 minutes 4 <sup>th</sup> transmission: Channel 2 or 4 switched off
8	<b>4-channel controlling</b> All 4 channels are jointly controlled. (only together with ELDAT data radio transmitters)
9	<b>On/Off (2-Button Operation)</b> Transmitter button 1: Switching on Transmitter button 2: Switching off

**Note:** On the operating mode 7 („Awning Operation“) two channels (1 and 2 or 3 and 4) interact simultaneously. Only one of the programming buttons (TA1 or TA 2 and TA3 or TA4) has to be pressed in order to program the operating mode.

## Memorizing the Transmission Codes

You can memorize 4 different transmission-codes for each channel.

The memory locations for the transmission codes can be selected via dip switch S1.



1. Select a memory location via dip switch S1.

### a) Operating Modes 0 to 3 and 6 to 8

	1	2
Transmitter 1:	OFF	OFF
Transmitter 2:	ON	OFF
Transmitter 3:	OFF	ON
Transmitter 4:	ON	ON

### b) Operating Mode 9

Transmitter Button	Function	1	2
Button 1:	Off	OFF	OFF
Button 2:	On	ON	OFF
Button 3 or Transmitter 2/ Button 1:	Off	OFF	ON
Button 4 or Transmitter 2/ Button 2:	On	ON	ON

2. Turn rotary switch DR1 to position 4 („Memorizing Transmission Codes“).
3. Press and hold the programming button for the desired channel (TA1, TA2, TA3 or TA4) until the LED H1 of the Universal Receiver flashes.
4. Within the next 10 s press the transmitter button which is supposed to control this channel. After memorizing the transmission code, the LED H1 of the Universal Receiver lights up constantly for approx. 2 s and then turns off. Release the transmitter button.
5. Repeat steps 1 to 4 for the other transmitters or transmitter buttons.
6. Screw the housing cover back on.

**Note:** If a new transmission code is memorized on a memory location, the old code memorized on that location is deleted.

## Deleting the Transmission Codes

1. Select the memory location to be deleted via dip switch S1.
2. Turn rotary switch DR1 to position 5 („Deleting Transmission Codes“).
3. Press and hold the programming button for the desired channel (TA 1, TA2, TA3 or TA4) until the LED H1 of the Universal Receiver lights up. The transmission code on the selected memory location is deleted.

## Cleaning the Universal Receiver

Wipe the housing carefully with a damp lint free cloth.

**Caution:** Do not use solvent-based cleaning agents. These can damage your health and destroy the surface of the housing.

## Disposal

**Waste electrical products may not be disposed of with household waste!**

Dispose of the waste product via a collection point for electronic scrap or via your specialist dealer.



Put the packaging material into the recycling bins for cardboard, paper and plastics.



## Warranty

Within the statutory warranty period we undertake to rectify free of charge by repair or replacement any product defects arising from material or production faults.

Any unauthorized tampering with, or modifications to, the product shall render this warranty null and void.

## Conformity

This product conforms to the basic requirements of the R&TTE Directive 1999/5/EC.



The Declaration of Conformity can be found on the Internet at: [www.eldat.de](http://www.eldat.de).

## Customer Service

If, despite correct handling, faults or malfunctions occur or if the product was damaged, please contact the company at the address below:

**ELDAT GmbH**  
Im Gewerbepark 14  
15711 Zeesen/Germany  
Phone: + 49 (0) 33 75 / 90 37-310  
Telefax: + 49 (0) 33 75 / 90 37-90  
Internet: [www.eldat.de](http://www.eldat.de)  
E-mail: [info@eldat.de](mailto:info@eldat.de)